



PRONOB AND COMPANY PRIVATE LIMITED

ISO 9001:2015 CERTIFIED



STANDARD VALVE BOXES



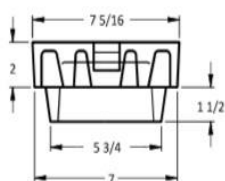
2 PIECE STANDARD SCREW TYPE VALVE BOX



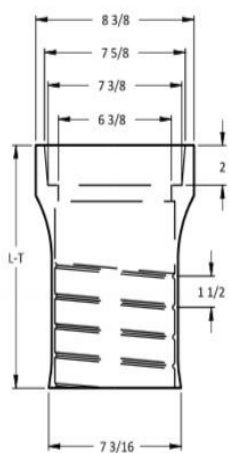
LID LETTER OPTIONS*

- WATER
- SEWER
- REUSE
- IRRIGATION
- GAS
- FIRE

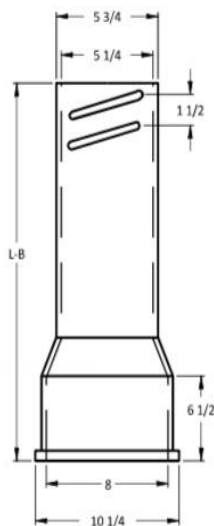
* Default Lid Letter is 'WATER'



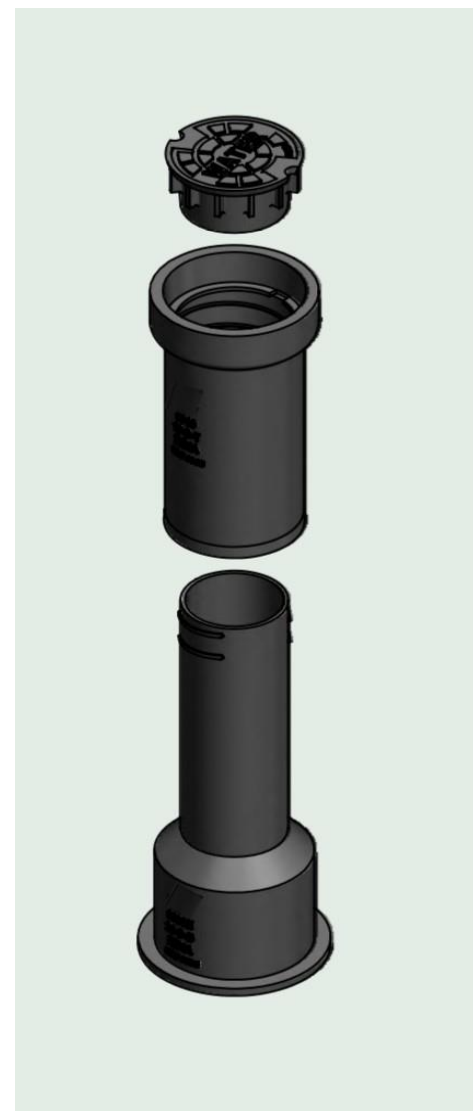
LID



TOP



BOTTOM



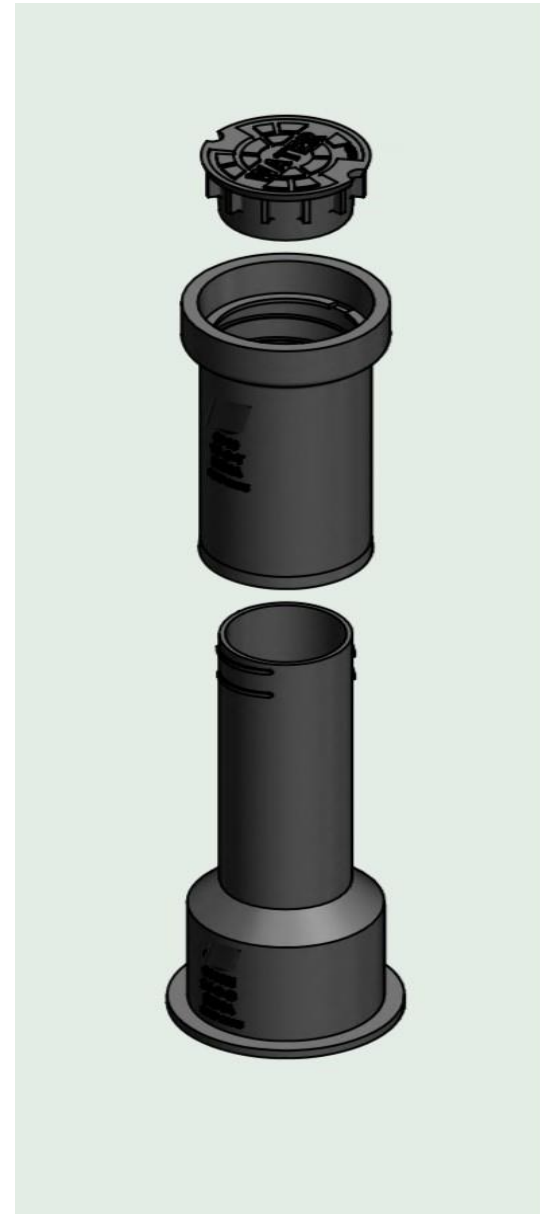
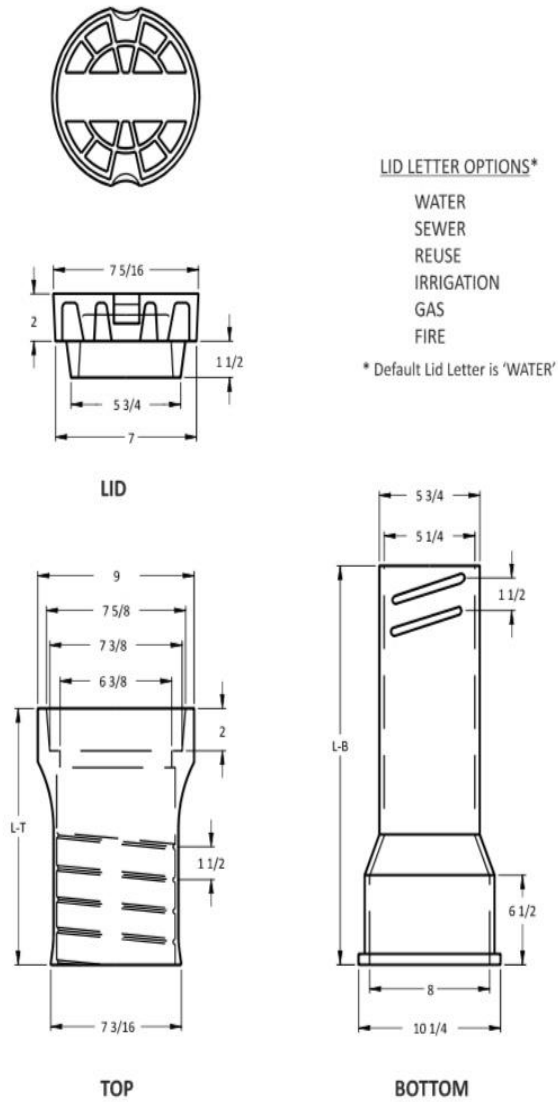
Material: Cast Iron, ASTM A48, Class 30B

Dimensions: All are in Inch

ITEM	HEIGHT	LENGTH	
		TOP	BOTTOM
461S	19-21	10	15
462S	27-32	10	24
562S	27-37	16	24
563S	33-43	16	30
564S	39-50	16	36
662S	36-52	26	30
664S	39-60	26	36



2 PIECE HEAVY DUTY SCREW TYPE VALVE BOX (OPTIONAL CL-35B)



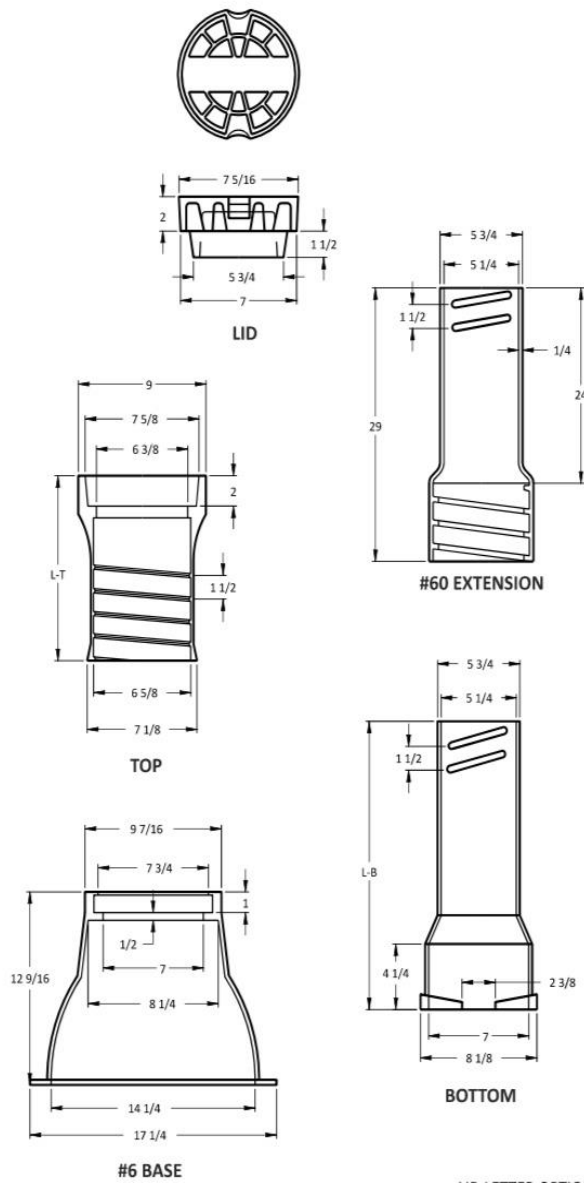
ITEM	HEIGHT	LENGTH	
		TOP	BOTTOM
461SHD	19-21	10	15
462SHD	27-32	10	24
562SHD	27-37	16	24
563SHD	33-43	16	30
564SHD	39-50	16	36
662SHD	36-52	26	30
664SHD	39-60	26	36

Material: Cast Iron, ASTM A48, Class 30B/35B

Dimensions: All are in Inch



3 PIECE STANDARD SCREW TYPE VALVE BOX



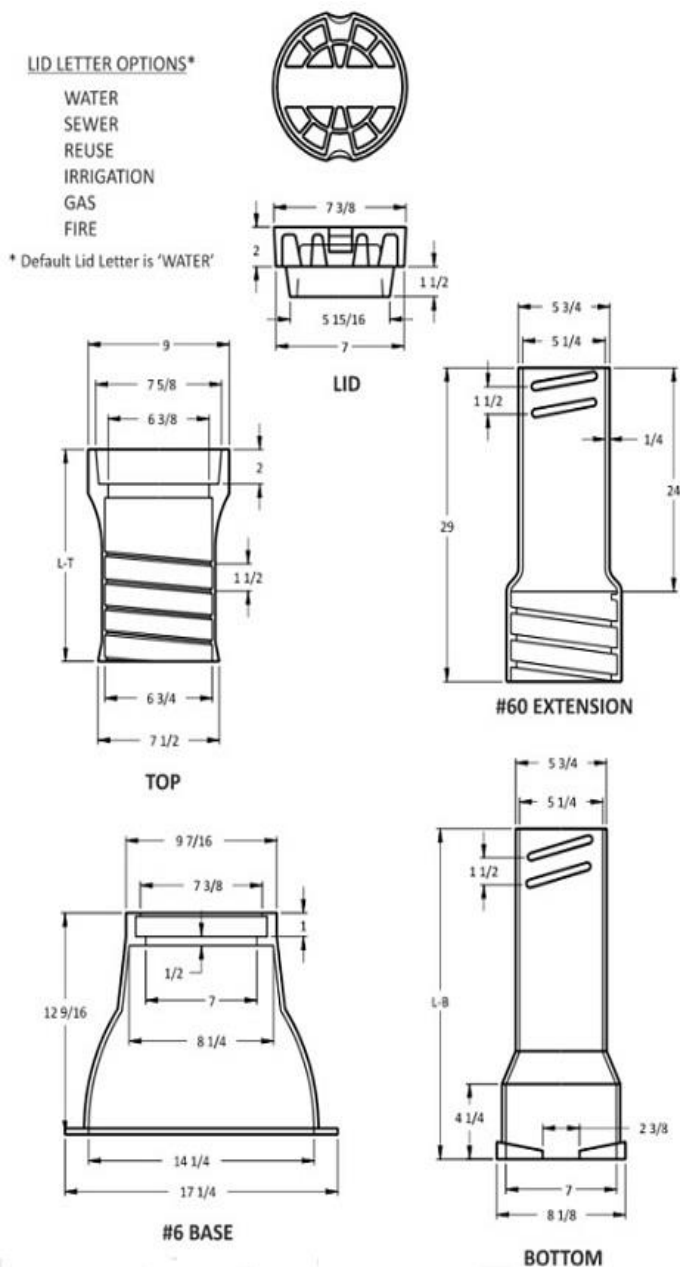
Material: Cast Iron, ASTM A48, Class 30B

Dimensions: All are in Inch

ITEM	HEIGHT	LENGTH	
		TOP	BOTTOM
A	33-42	16	18
B	39-49	16	24
C	45-54	16	30



3 PIECE HEAVY DUTY SCREW TYPE VALVE BOX



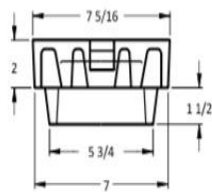
Material: Cast Iron, ASTM A48, Class 30B

Dimensions: All are in Inch

ITEM	HEIGHT	LENGTH		EXTN
		TOP	BOTTOM	
AHD	33-42	16	18	
BHD	39-49	16	24	
CHD	45-54	16	30	
CCHD	51-60	16	36	
DHD	45-66	26	30	
DDHD	51-72	26	36	
GHD	74-94	26	36	24



2 PIECE STANDARD SLIP TYPE VALVE BOX

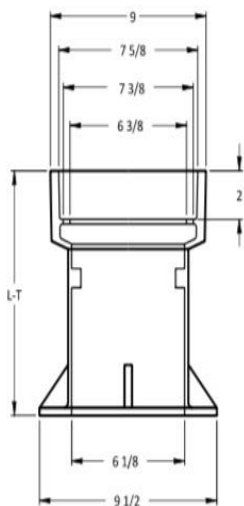


LID

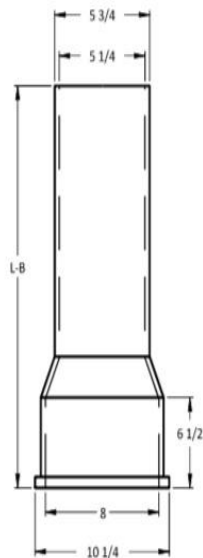
LID LETTER OPTIONS*

- WATER
- SEWER
- REUSE
- IRRIGATION
- GAS
- FIRE

* Default Lid Letter is 'WATER'



TOP



BOTTOM

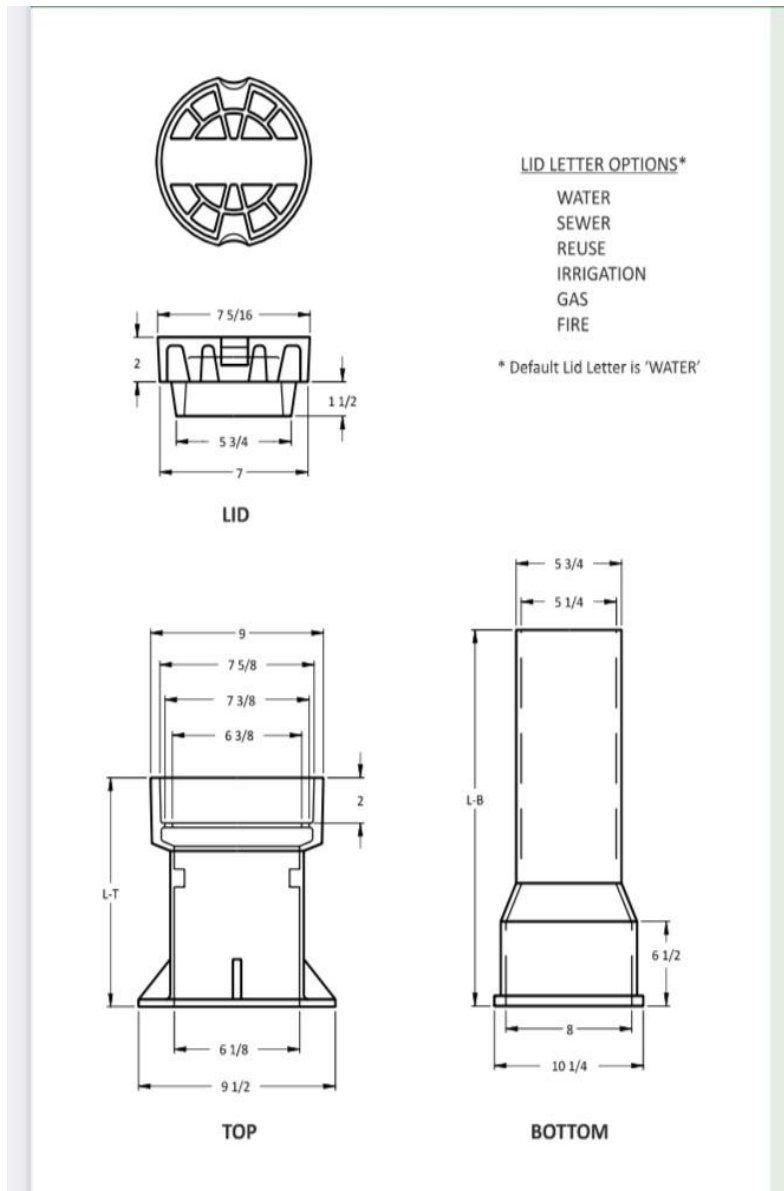


ITEM	HEIGHT	LENGTH	
		TOP	BOTTOM
461A	20-25	10	15
462A	29-33	10	24
562A	29-38	16	24
563A	33-43	16	30
564A	41-51	16	36
662A	36-52	26	30
664A	41-61	26	36

Material: Cast Iron, ASTM A48, Class 30B
 Dimensions: All are in Inch



2 PIECE HEAVY DUTY SLIP TYPE VALVE BOX



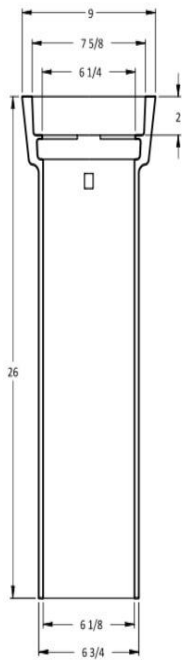
Material: Cast Iron, ASTM A48, Class 30B/35B

Dimensions: All are in Inch

ITEM	HEIGHT	LENGTH	
		TOP	BOTTOM
562AHD	29-38	16	24
564AHD	41-51	16	36
664AHD	41-61	26	36



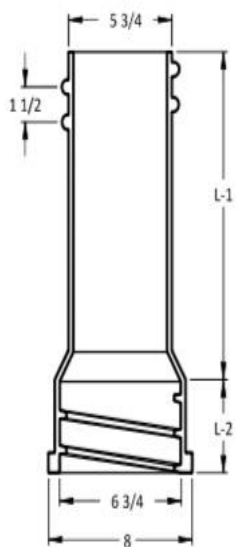
HEAVY DUTY NO FLANGE VALVE BOX TOP- CLASS 35B



Material: Cast Iron, ASTM A48, Class 30B

Dimensions: All are in Inch

SCREW TYPE VALVE BOX EXTENSION



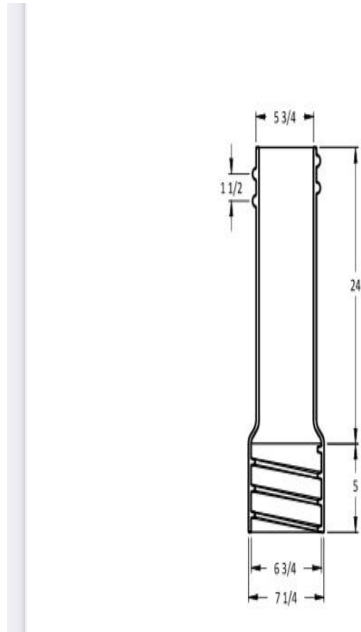
Material: Cast Iron, ASTM A48, Class 35B

Dimensions: All are in Inch

ITEM	L1	L2
#58	14	4 1/4
#59	18	5
#60	24	5 1/2



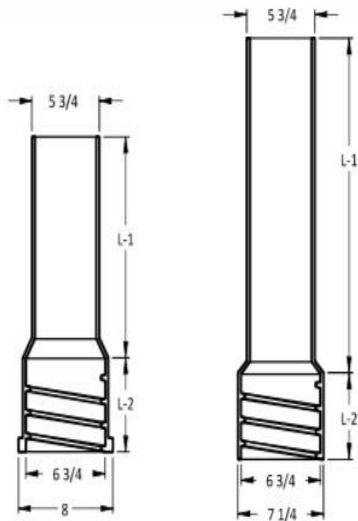
24" #60 SCREW TYPE VALVE BOX EXTENSION – CLASS 35B



Material: Cast Iron, ASTM A48, Class 35B

Dimensions: All are in Inch

SLIP TYPE VALVE BOX EXTENSION



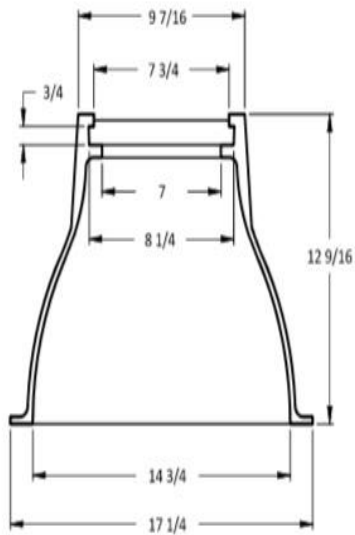
Material: Cast Iron, ASTM A48, Class 30B

Dimensions: All are in Inch

ITEM	L1	L2
#58A	14	6
#59A	18	6
#60A	24	5 1/2



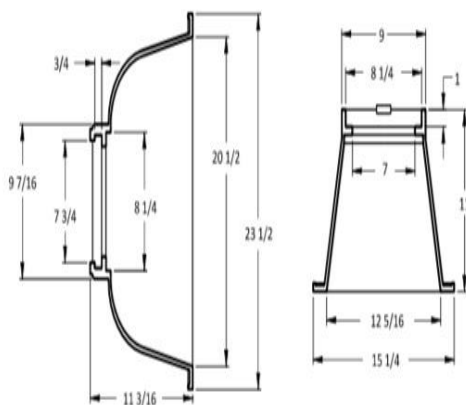
#6 BASE FOR 3 PIECE SCREW TYPE VALVE BOX



Material: Cast Iron, ASTM A48, Class 30B

Dimensions: All are in Inch

#160 BASE FOR 3 PIECE SCREW TYPE VALVE BOX- CLASS 35B

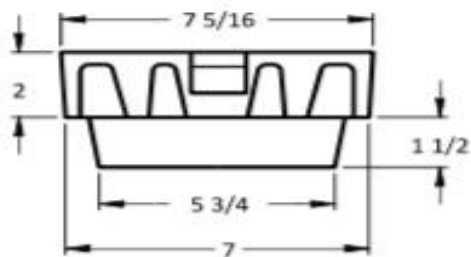


Material: Cast Iron, ASTM A48, Class 35B

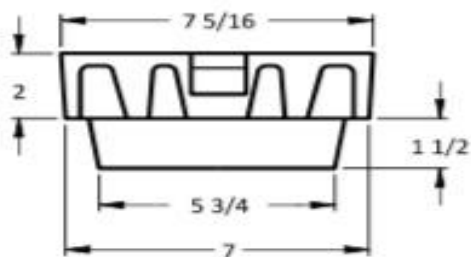
Dimensions: All are in Inch



STANDARD AND HEAVY DUTY VALVE BOX LIDS



STANDARD LID



HEAVY DUTY LID



Material: Cast Iron, ASTM A48, Class 30B/35B

Dimensions: All are in Inch

ITEM		MARKINGS
STANDARD	HEAVY DUTY	
6351	6346	WATER
6341	6352	SEWER
6343	6354	REUSE
6347S	6347	IRRIGATION
6342	6353	GAS
6348	6348HD	FIRE

Address: 68, Debendra Chandra Dey Road, Kolkata-700015

Contact Person: Vikram Bhuwalka

Mobile Number: +91 9674040282/9331040703

Website: www.pronobandcompany.com